



# PANTHR™

20" x 8" Active Matrix LCD

DESCRIPTION	SPECIFICATION
<b>Optical Performance</b>	
Viewable Area	20.0"(w) x 8.0"(h); 21.5" diagonal
Backlight	Light-Emitting Diode (LED)
Resolution	2560 x 1024, 128 dpi/8-bit color
Luminance	Day: 10 fL to 290 fL (minimum) Night: 0.025 fL to 25 fL
Viewing Angle	±90° horizontal/vertical inherent, tuned to mission environment (tactical, transport, rotary, other)
Touch Screen	Optional; IR touch screen with swipe, pinch-zoom capability
Contrast Ratio	> 10:1 (high ambient lighting)
NVIS Provisions	NVIS B
<b>Physical Description</b>	
Dimensions	21.79" (w) x 9.73" (h) x 4.75" (d)
Weight	20 lb. minimum
Cooling	Internal fans
Primary Power	28 VDC, 150 W nominal (full bright/fans on)
<b>Functional Description</b>	
Primary Interfaces	DVI (copper); RS-422
Optional Interfaces	DVI (fibre); ARINC 818; DisplayPort™
<b>Environmental Performance</b>	
Temperature	Operating: -40 °C to +71 °C Storage: -54 °C to +85 °C
Ruggedization	Tactical aircraft environment
Altitude	65,000 ft.
Reliability	> 5,000 hours MTBF
EMI/EMC	Tactical aircraft environment
<b>Options</b>	
<ul style="list-style-type: none"> <li>• Attached or separate control panel (Off-Night-Day brightness control)</li> <li>• Bezel-mounted switches</li> </ul>	

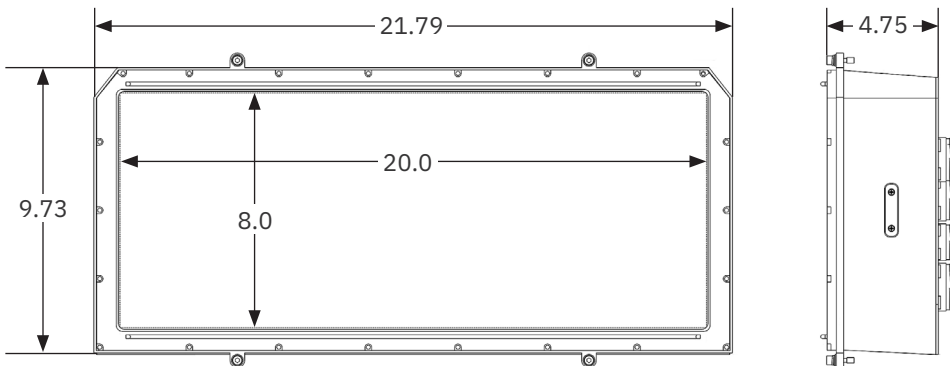


- > High-resolution, large-area AMLCD provides crisp, high-quality presentations of video and graphics
- > LED backlighting for high bright and night operational modes supports full sunlight and night conditions
- > Dual-channel high-performance processing subsystem provides required computing performance
- > Modular, open architecture
- > IR touch screen with swipe, pinch-zoom capability

The PANTHR™ Large Area Display (LAD) is a self-contained, fault-tolerant, multi-function display. It is a best value solution that provides an optimal balance of exceptional performance, life-cycle affordability, low risk, and long-term supportability. The PANTHR display presents clear, crisp high-fidelity graphics and video from up to four external sources, on a single, monolithic 2560 X 1024 active matrix LCD. PANTHR's unique "full-screen" fault tolerance provides unsurpassed reliability with unlimited usage of the entire display.



#### DIMENSIONS (INCHES)



#### PANTHR™

© 2019 L3Harris Technologies, Inc. | 09/2019

This document consists of L3Harris Technologies general capabilities information that is not defined as controlled technical data under ITAR Part 120.10 or EAR Part 772.

L3Harris Technologies is an agile global aerospace and defense technology innovator, delivering end-to-end solutions that meet customers' mission-critical needs. The company provides advanced defense and commercial technologies across air, land, sea, space and cyber domains.



**L3HARRIS™**  
FAST. FORWARD.

1025 W. NASA Boulevard  
Melbourne, FL 32919  
t 770 752 7000 | f 770 752 5516  
email@L3Harris.com