

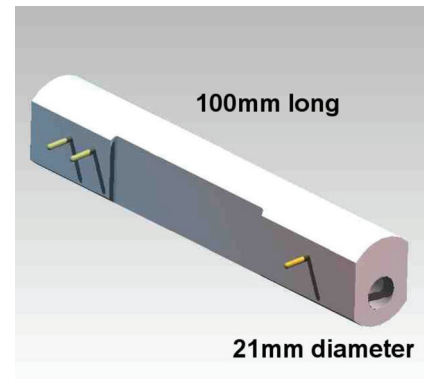


L3HARRIS™
FAST. FORWARD.

MK-367

Laser Head

MK-367	
Specifications	
Wavelength	1064 nm
Laser Energy	25 mJ for single pulse
Pulse Repetition Rate	1/3 Hz
Maximum Pulse Repetition Rate	1 Hz with actively cooled heat sink
Laser Pulse Width	4 ns
Raw Beam Diameter	3 mm
Beam Divergence	90% less than 1 mrad full angle
Output Stability	Less than $\pm 10\%$
Beam Mode	Low Order
Laser Head Size (in centimeters)	10 cm L x 2.1 cm Diameter
Laser Head Weight	58 g
Nominal Required Input	5 to 6 Joules per pulse
Life Time	> 300,000 shots
MK-107 Laser Power Supply Electric Requirements	
Input Voltage	12 VDC
Input Current	1.2 A charging 250 mA regulating
Output Voltage	500 to 1000 VDC
Trigger Output	+12 VDC-positive edge input 1.0 ms minimum pulse width
Output Energy	Model MK106-10: 9 J Model MK106-20: 18 J
Maximum Pulse Rate	One pulse per second at 10 J
Charge Indication	Active low at full charge (12 V 20 mA sink recommended)
MK-107 Laser Power Supply Specifications	
Nominal Output	10 mJ @ 532 nm
Pulse Width	4 ns
Beam Diameter	3 mm
Beam Divergence	90% less than 1 mrad full angle
Output Stability	Less than $\pm 10\%$



The MK-367 is a high-peak power (6 mW) compact permanently aligned 1064 nm laser.

ABOUT L3HARRIS

L3Harris is an ISO 9001:2015 certified full-service manufacturer of miniature eye-safe diode-pumped 1.54 μ m Erbium glass laser transmitters and specialty laser and filter glass material. These items are used in applications including laser range-finding, range gate imaging, Light Detection and Ranging (LIDAR), and Laser-Induced Breakdown Spectroscopy (LIBS).



MK-367

© 2020 L3Harris Technologies, Inc. | 03/2020

This document consists of general capabilities information that is not defined as controlled technical data under ITAR Part 120.10 or EAR Part 772. Data, including specifications, contained within this document are summary in nature and subject to change at any time without notice at L3Harris' discretion. Call for latest revision. All brand names and product names referenced are trademarks, registered trademarks, or trade names of their respective holders. Rev 006h

L3Harris Technologies is an agile global aerospace and defense technology innovator, delivering end-to-end solutions that meet customers' mission-critical needs. The company provides advanced defense and commercial technologies across air, land, sea, space and cyber domains.



L3HARRIS™
FAST. FORWARD.

1025 W. NASA Boulevard
Melbourne, FL 32919
t 843 681 5800 | f 843 681 4559
Info.kigre@L3Harris.com