



**L3HARRIS™**  
FAST. FORWARD.

## RF-3082-AT001

### MUOS Foldable At-The-Pause Antenna

GENERAL	
Nomenclature	RF-3082-AT001
Compatibility	Legacy SATCOM: AN/PRC-158 MUOS SATCOM: AN/PRC-158 (with MUOS upgrade)
Frequency Range	240–380 MHz
Polarization	Right hand circularly polarized
Impedance	50 Ohm (nominal)
VSWR	1.5:1
Gain	+10.5 dBic (with all directors installed)
Power Rating	50W continuous power / 200W peak for 30 minutes

PHYSICAL	
Dimensions	See diagrams
Weight	3.5 lbs maximum (1.25 kg) including antenna, bag, cable, manual
Color	Black matte finish

ENVIRONMENTAL	
Temperature	Per MIL-STD-810F -40°F to 159.8°F (-40°C to 71°C) operating

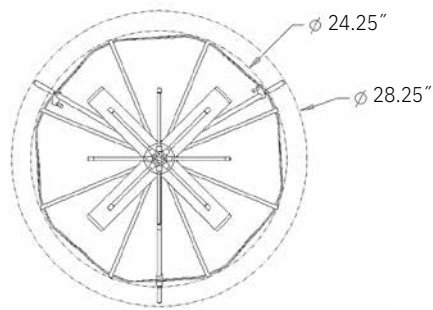
  

INTERFACE	
RF Connector	BNC-type female

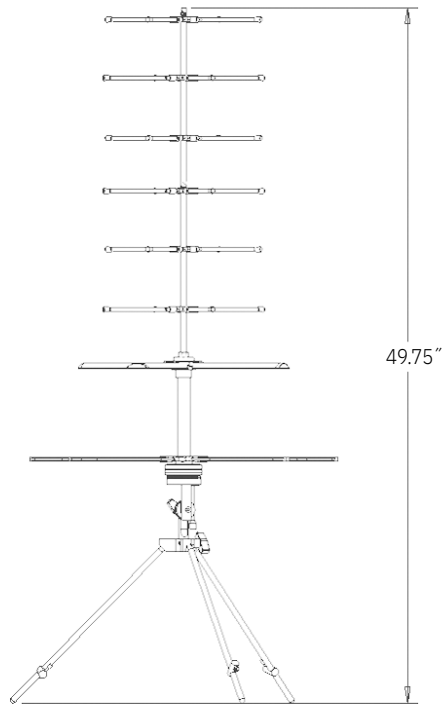


The L3Harris RF-3082-AT001 next-generation crossed Yagi satellite antenna provides both full duplex MUOS and legacy UHF SATCOM. Designed for both rapid deployment and high-gain radiation patterns, the antenna covers the 240 to 380 MHz frequency range. It folds up and easily fits into a lightweight, small-volume carry bag.

TOP VIEW



ELEVATION VIEW



RF-3082-AT001 MUOS Foldable At-The-Pause Antenna

© 2020 L3Harris Technologies, Inc. | 05/2020 TAC SP076

**Non-Export Controlled Information**

L3Harris Technologies is an agile global aerospace and defense technology innovator, delivering end-to-end solutions that meet customers' mission-critical needs. The company provides advanced defense and commercial technologies across air, land, sea, space and cyber domains.



**L3HARRIS™**  
FAST. FORWARD.

1025 W. NASA Boulevard  
Melbourne, FL 32919