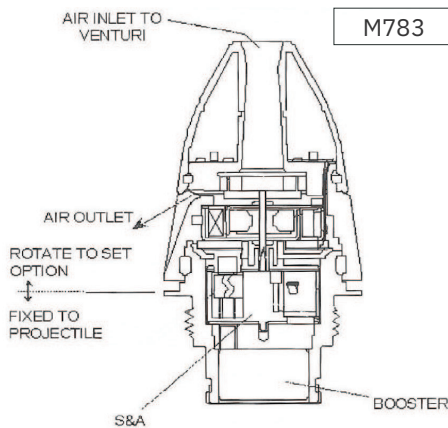




L3HARRIS™
FAST. FORWARD.

M783 ELECTRONIC POINT DETONATING/ DELAY FUZE FOR MORTARS

PERFORMANCE CHARACTERISTICS						
Overall Size & Weight			Intrusion		Thread	
Length	3.722 in.	(94.5 mm)	Depth	1.120 in.	(28.4 mm)	1.5-12UNF-1A
X-Section	1.935 in.	(49.1 mm)	Diameter	1.145 in.	(29.1 mm)	Depth 0.440 in. (11.2 mm)
Weight	0.50 lb.	(226.8 g)				
Weapons		Ammunition		Operating Modes		
60 mm Mortar M224		HE, M720A1		PD/Delay		
81 mm Mortar M252		HE, M821A2		PD/Delay		
120 mm Mortar M120, M121		HE, M934A1 & WP SMK, M929		PD/Delay		
Safety				Temperature		
1st Safety	Setback	215 g, No Arm	395 g, All Arm	Function	-40 °C to +63 °C	
	Drop Safety	No Arm, 70 ft./sec. Minimum Velocity Change			(-40 °F to 145.4 °F)	
2nd Safety	Air Flow	213 ft./sec. to 1,043 ft./sec.		Storage	-40 °C to +71 °C	
		100 m, No Arm	300 m, All Arm	(-40 °F to 159.8 °F)		
Shelf Life						
20 years						



The M783 is the U.S. Army's newest-generation, NATO-standard electronic point detonating (PD)/delay fuze for mortars.



KEY FEATURES

- > Provides combat units with a reliable and advanced next-generation electronic PD/delay fuze for 60/81/120 mm mortars
- > Replaces the M935 and M745 fuzes
- > Provides combat units of all services with a “train as you fight” PD/delay fuze in conjunction with the M734A1 multi-option fuze for mortars (MOFM)
- > Incorporates two environmental safety features; eliminates need for safety pull pin
- > MIL-STD-1316, -331 and -333 compliant (STANAG 4187, 4157 and 2916)
- > Type classified on U.S. and NATO-standard 60 mm HE, 81 mm HE and 120 mm HE cartridges

L3Harris.com

M783 Electronic Point Detonating/Delay Fuze for Mortars

© 2021 L3Harris Technologies, Inc. | 08/2021

PUBLIC RELEASE. This item has been reviewed in accordance with the International Traffic in Arms Regulations (ITAR), 22 CFR part 120.11, and the Export Administration Regulations (EAR), 15 CFR 734(3)(b)(3), and may be released without export restrictions.

L3Harris Technologies is an agile global aerospace and defense technology innovator, delivering end-to-end solutions that meet customers’ mission-critical needs. The company provides advanced defense and commercial technologies across air, land, sea, space and cyber domains.



L3HARRIS™
FAST. FORWARD.

1025 W. NASA Boulevard
Melbourne, FL 32919
t 513 943 2000
info@L3Harris.com