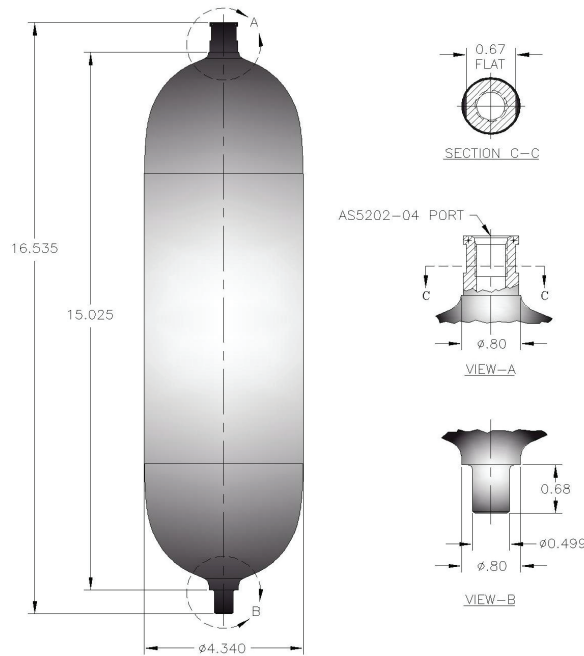




L3HARRIS®
FAST. FORWARD.

ARDE PART NUMBER 4708

All Metal



SPECIFICATIONS	
Volume (cubic inches)	175
Operating Pressure (psig)	3000
Proof Factor	1.5
Minimum Burst Factor	2.0
Actual Rupture Pressure (psig)	6850
Weight (pounds)	3.52
Environmental Load	Contact L3Harris
Qualification Basis Standard	MIL-STD-1522A AIAA-S-080

MATERIAL OF CONSTRUCTION	
Tank	Cryoformed CRES 301
Fluid Interface	Mechanical port

For more information call L3Harris at (201) 270-5800 or email ContactARDE@L3Harris.com

ARDE Part Number 4708

© 2024 L3Harris Technologies, Inc. | 08/2024 | L25290

NON-EXPORT CONTROLLED: THIS DOCUMENT CONSISTS OF INFORMATION THAT IS NOT DEFINED AS CONTROLLED TECHNICAL DATA UNDER ITAR PART 120.33 OR TECHNOLOGY UNDER EAR PART 772.

L3Harris Technologies is the Trusted Disruptor in the defense industry. With customers' mission-critical needs always in mind, our employees deliver end-to-end technology solutions connecting the space, air, land, sea and cyber domains in the interest of national security. Visit L3Harris.com for more information.

L3Harris Technologies, Inc.

1025 W. NASA Boulevard
Melbourne, FL 32919

L3Harris.com