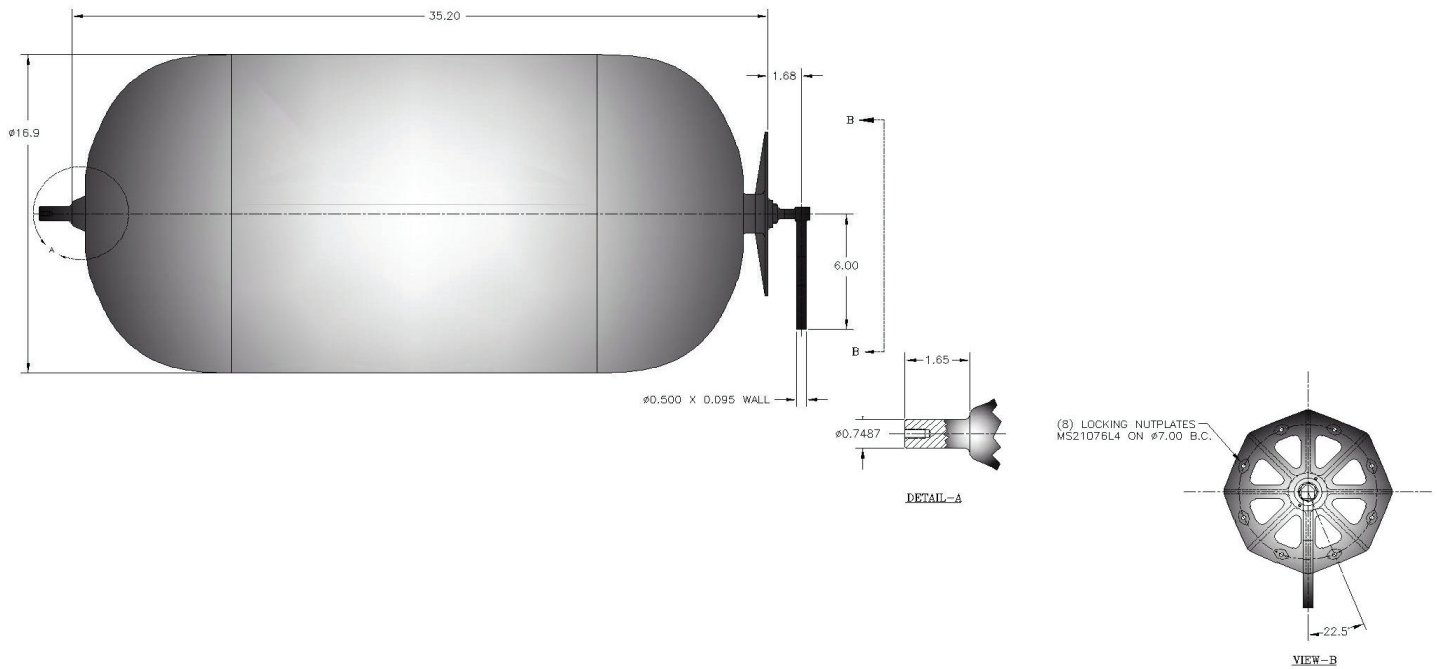




**L3HARRIS®**  
FAST. FORWARD.

# ARDE PART NUMBER 4860

## Composite Overwrapped Pressure Vessels (COPV)



SPECIFICATIONS	
Volume (cubic inches)	6000
Operating Pressure (psig)	4500
Proof Factor	1.25
Minimum Burst Factor	1.5
Actual Rupture Pressure (psig)	9200 (by similarity)
Weight (pounds)	41.0
Qualification Basis Standard	MIL-STD-1522A
	AIAA-S-080

MATERIAL OF CONSTRUCTION	
Liner	Inconel 718
Porting Interface	CRES 304L tube
Wrap	Fiber: T-1000
	Resin: 31-43B
	Adhesive-Cytec FM-73
Environmental Vibration Load (N <sub>y</sub> )	Component qual
	Axial 11.19 Grms
	Lateral 10.63 Grms

For more information call L3Harris at (201) 270-5800 or email [ContactARDE@L3Harris.com](mailto:ContactARDE@L3Harris.com)

ARDE Part Number 4860

© 2024 L3Harris Technologies, Inc. | 09/2024 | L25289

**NON-EXPORT CONTROLLED:** THIS DOCUMENT CONSISTS OF INFORMATION THAT IS NOT DEFINED AS CONTROLLED TECHNICAL DATA UNDER ITAR PART 120.33 OR TECHNOLOGY UNDER EAR PART 772.

L3Harris Technologies is the Trusted Disruptor in the defense industry. With customers' mission-critical needs always in mind, our employees deliver end-to-end technology solutions connecting the space, air, land, sea and cyber domains in the interest of national security. Visit [L3Harris.com](http://L3Harris.com) for more information.

**L3Harris Technologies, Inc.**

1025 W. NASA Boulevard  
Melbourne, FL 32919

[L3Harris.com](http://L3Harris.com)