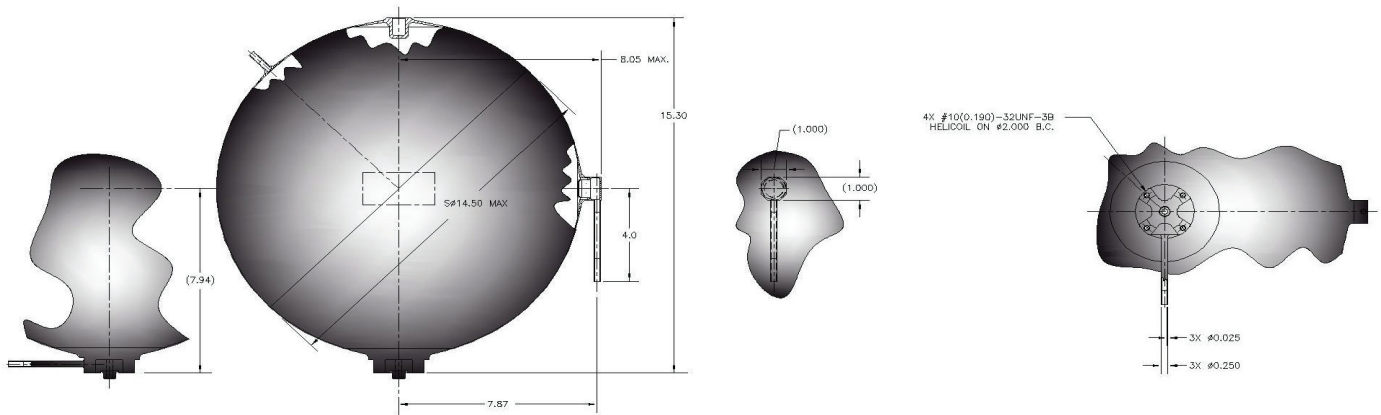




**L3HARRIS®**  
FAST. FORWARD.

# ARDE PART NUMBER 4899

## Propellant



| SPECIFICATIONS                 |               |
|--------------------------------|---------------|
| Volume (cubic inches)          | 1560          |
| Operating Pressure (psig)      | 400           |
| Proof Factor                   | 1.5           |
| Minimum Burst Factor           | 2.0           |
| Actual Rupture Pressure (psig) | 1000          |
| Weight (pounds)                | 5.40          |
| Qualification Basis Standard   | MIL-STD-1522A |
|                                | AIAA-S-080    |

| MATERIAL OF CONSTRUCTION                             |   |
|--|---|
| Tank   | Inconel-718                             |
| Tubing Interface                                     | CRES 304L                               |
| Compatible Propellants                               | MON, MMH, N <sub>2</sub> H <sub>4</sub> |
| Environmental Load ( N <sub>2</sub> H <sub>4</sub> ) | Component qual                          |
|  | Axial 6.3 Grms                          |
|  | Lateral 6.46 Grms                       |

For more information call L3Harris at (201) 270-5800 or email [ContactARDE@L3Harris.com](mailto:ContactARDE@L3Harris.com)

### ARDE Part Number 4899

© 2024 L3Harris Technologies, Inc. | 08/2024 | L25291

THIS DOCUMENT CONSISTS OF INFORMATION THAT IS NOT DEFINED AS CONTROLLED TECHNICAL DATA UNDER ITAR PART 120.33 OR TECHNOLOGY UNDER EAR PART 772.

L3Harris Technologies is the Trusted Disruptor in the defense industry. With customers' mission-critical needs always in mind, our employees deliver end-to-end technology solutions connecting the space, air, land, sea and cyber domains in the interest of national security. Visit [L3Harris.com](http://L3Harris.com) for more information.

**L3Harris Technologies, Inc.**

1025 W. NASA Boulevard  
Melbourne, FL 32919

[L3Harris.com](http://L3Harris.com)