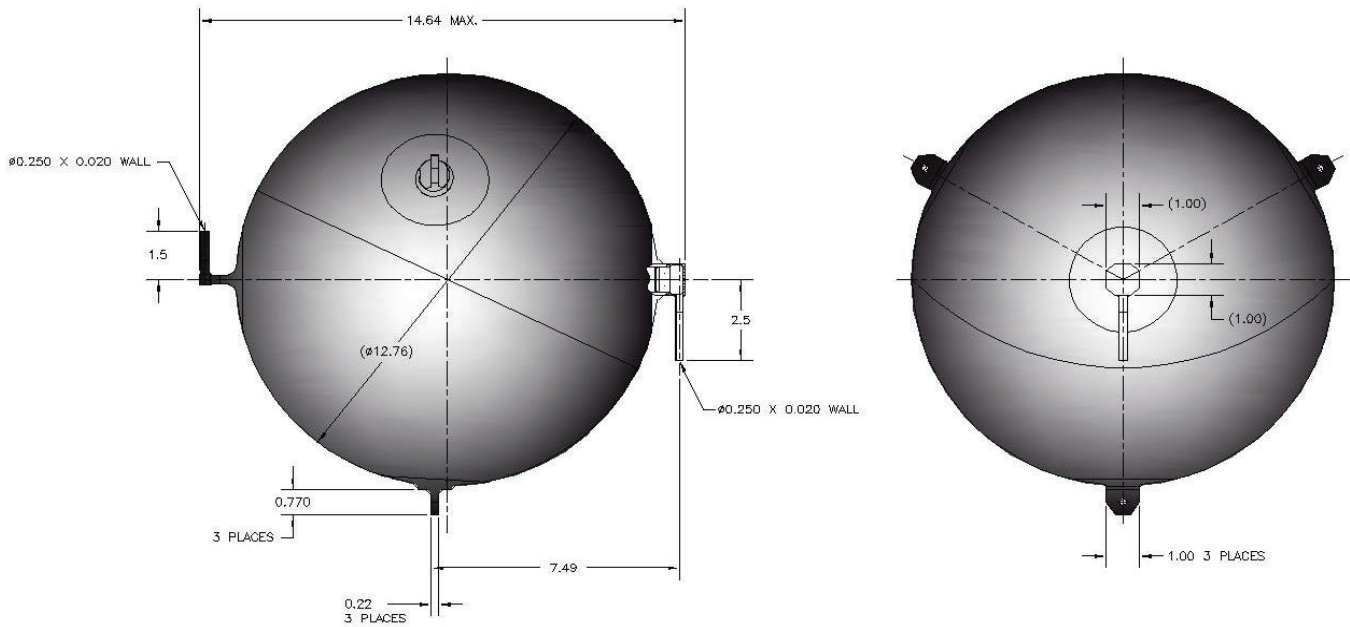




L3HARRIS®
FAST. FORWARD.

ARDE PART NUMBER 4962

Propellant



SPECIFICATIONS	
Volume (cubic inches)	1060
Operating Pressure (psig)	400
Proof Factor	1.25
Minimum Burst Factor	1.5
Actual Rupture Pressure (psig)	900
Weight (pounds)	2.95
Qualification Basis Standard	MIL-STD-1522A AIAA-S-080

MATERIAL OF CONSTRUCTION	
Tank	I-718
Porting Interface	Gas Inlet CRES 304L tube Propellant Outlet CRES 304L tube
Environmental Load (N ₂ H ₄)	Component qual
	Axial 16.8 Grms
	Lateral 16.8 Grms

For more information call L3Harris at (201) 270-5800 or email ContactARDE@L3Harris.com

ARDE Part Number 4962

© 2024 L3Harris Technologies, Inc. | 08/2024 | L25291

NON-EXPORT CONTROLLED: THIS DOCUMENT CONSISTS OF INFORMATION THAT IS NOT DEFINED AS CONTROLLED TECHNICAL DATA UNDER ITAR PART 120.33 OR TECHNOLOGY UNDER EAR PART 772.

L3Harris Technologies is the Trusted Disruptor in the defense industry. With customers' mission-critical needs always in mind, our employees deliver end-to-end technology solutions connecting the space, air, land, sea and cyber domains in the interest of national security. Visit L3Harris.com for more information.

L3Harris Technologies, Inc.

1025 W. NASA Boulevard
Melbourne, FL 32919

L3Harris.com